



K68 Floor Scrubber Instruction Manual



Anhui Chancee Technology Co., Ltd.

Direction: 11 Qiaowan Road, Heifei, Anhui, China

Website: www.chanceeglobal.com



Preface

This instruction manual contains all the information that you need to use and maintain the machine. Please read it carefully before getting started.

This instruction manual is an important part of the product and should be kept together with the machine.

In order to ensure your safety, the following instructions must be followed when operating the machine and performing maintenance:

- Do NOT use the machine after drinking or taking medicine.
- Turn off the machine before any maintenance or repair.
- The machine can only be used by trained and competent personnel; children and disabled people are forbidden to use it.
- Keep the batteries away from sparks, flame and smoke.
- Do NOT use the machine in places with flammable or explosive liquids, gases and vapor.
- When operating the machine, do NOT wear loose clothing, and keep you body away from the moving parts of the machine.
- Do NOT smoke when charging the batteries.
- In the event of a fire, use a powder extinguisher instead of water.
- Attention must also be paid when the machine is about to be scrapped. Since some harmful substances have met the standards, they should be sent to a specific service center for treatment.

If you have any question, complaint or suggestion, please feel free to contact us and we will be at your service with all our knowledge and enthusiasm.

We wish you a pleasant experience with our product!

We explore safer, higher-end and more user-friendly cleaning equipment through technical advantage and idea innovation.



Contents

Chapter 1 General description **1/3**

1.1 Suitable scenes

1.2 Overview of the product

1.3 Controlling panel and keys

1.4 List of accessories

1.5 Consumables and optional items

Chapter 2 Unloading and assembling the machine **4/5**

2.1 Unloading the machine

2.2 Assembling the machine

Chapter 3 Checks and adjustments before using the machine **6/8**

3.1 Check items

3.2 Adjustment items

Chapter 4 Instructions on operating the machine **9/11**

4.1 Walking of the machine

4.2 Scrubbing the floor

4.3 Discharging sewage

4.4 Stopping the machine

4.5 Charging the batteries

Chapter 5 Cleaning and maintenance of the machine **12/14**

5.1 Cleaning of the machine

5.2 Maintenance of the machine

Chapter 6 Storage and transportation of the machine **15**

6.1 Storage of the machine

6.2 Transportation of the machine

Chapter 7 Common problems and solutions **16**

Chapter 8 After-sale services **17**

8.1 General description

8.2 Contents of warranty

8.3 Cases not covered in the warranty

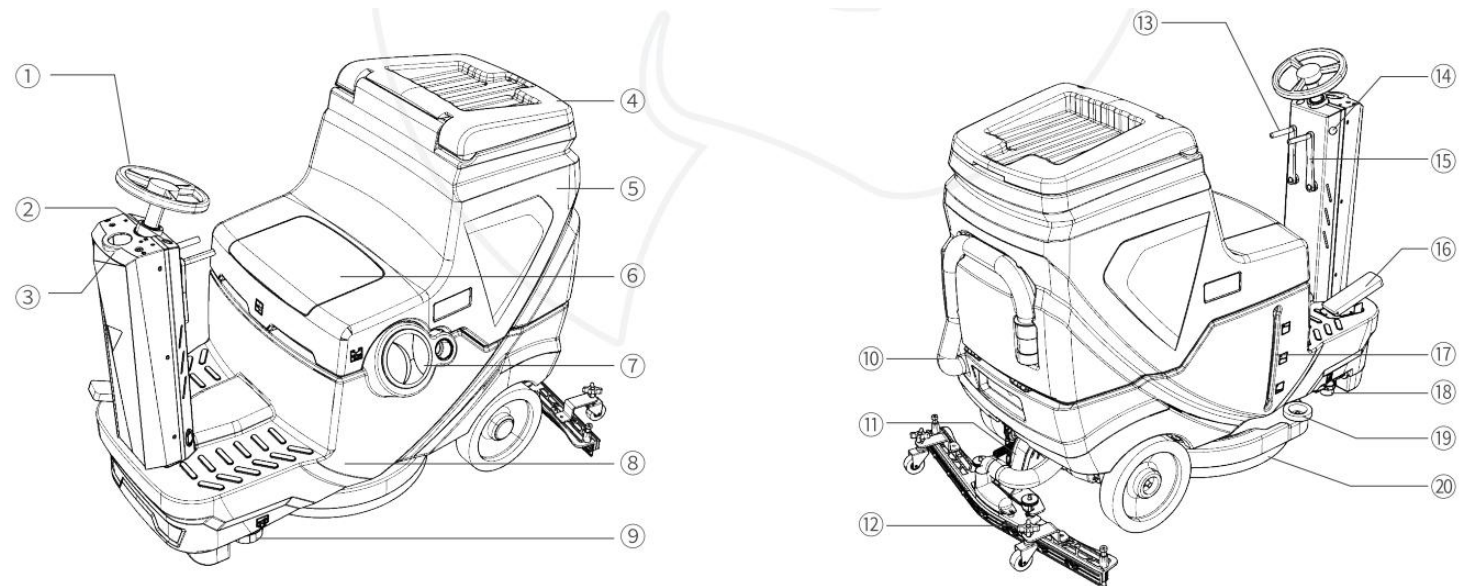
Technical parameters & Warranty card

Chapter 1 General description

1.1 Suitable scenes

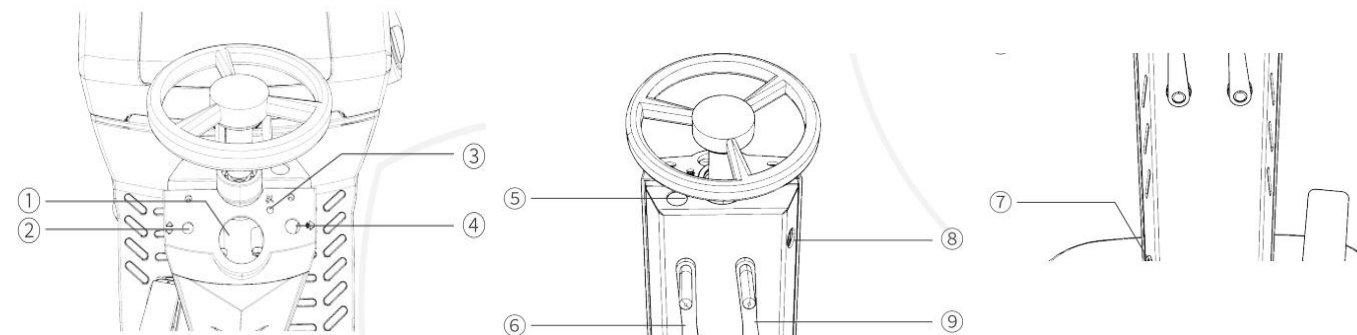
This product can be used in multiple scenes such as restaurants, schools, hospitals, factories, supermarkets and office buildings and has a good cleaning effect on floors of epoxy, PVC, terrazzo, ceramic tile, wood and rubber.

1.2 Overview of the product



1	Steering wheel	2	Emergency stop button	3	Controlling panel
4	Sewage tank cover	5	Sewage tank	6	Seat
7	Clean water inlet	8	Clean water tank	9	Clean water outlet
10	Sewage discharging pipe	11	Suction pipe	12	Squeegee
13	Squeegee lifting handle	14	General switch	15	Brush plate lifting handle
16	Accelerating pedal	17	Clean water level gauge	18	Filter
19	Anti-collision wheel	20	Brush plate		

1.3 Controlling panel and buttons



- | | | | | | |
|---|-------------------------|---|-------------------------|---|----------------------------|
| 1 | Power display screen | 4 | Loudspeaker button | 7 | Charging port |
| 2 | Forward/backward button | 5 | Emergency stop button | 8 | General switch |
| 3 | Indicator light | 6 | Squeegee lifting handle | 9 | Brush plate lifting handle |

1.4 List of accessories

When you receive the product, check whether all of the following items are presented. If there is any loss, contact the seller immediately.

Item	Number	Item	Number	Item	Number	Item	Number
Scrubber	1	Squeegee	1	Instruction manual	1	Spare fuses	2
Charger	1	Tool box	2	Warranty card	1		

1.5 Consumables and optional items

- Consumables refer to accessories that become worn gradually and need to be replaced when they cannot work normally.
- You can purchase consumables and optional accessories from the original manufacturer.

Consumables		Optional items	
Brush plate	Scouring pad (red)	Needle plate	Scouring pad (black)
Squeegee strip	Scouring pad (white)	Scouring pad (red)	Scouring pad (white)
Needle plate	Scouring pad (black)		

Chapter 2 Unloading and assembling the machine

2.1 Unloading the machine

- Remove the packing carefully to avoid damaging the machine.
- We recommend that you keep the packing of the product because it can be used again if you need to repair or transport the machine.
- Do NOT unload or unpack the machine violently.

2.2 Assembling the machine

2.2.1 Installing the squeegee

- Use the squeegee lifting handle to put down the plastic squeegee holder.
- Pass the squeegee fixing screws through the holes of the squeegee holder, and tighten them with plastic knobs.
- Install the sewage discharging pipe.



2.2.2 Connecting the battery cords

- Open the sewage tank and check whether all the cables on the batteries are connected and tightened.
- Connect the battery poles. Pay attention to the polarity.
- Close the sewage tank.



Chapter 3 Checks and adjustments before using the machine

3.1 Check items

3.1.1 Checking the water volume in the clean water tank

- Make sure that there is sufficient water in the clean water tank before work. Do NOT do the cleaning without enough water, or dust may be sucked into the suction motor leading to loud noise and low working efficiency.

3.1.2 Checking the water level in the sewage tank

- Pay special attention to the water level in the sewage tank. When the floating balls are in the highest position, discharge the sewage tank immediately or the suction motor will be burnt.

3.1.3 Checking the voltage of the batteries

- When the general switch is turned on, the current voltage of the batteries will be displayed on the voltmeter. If the last bar of the voltmeter is flashing, the power is insufficient and please charge the batteries immediately.
- Note that deep discharging (e.g. frequently using the machine when the voltage is lower than 21 V) will reduce the service life of the batteries.



3.1.4 Checking the degree of wear of the brush plate

- Check whether the brush plate is worn. If so, adjust the height of the brush plate or replace it.



3.1.5 Checking the degree of wear of the strip

The strip needs to be replaced if:

- the strip cannot touch the ground when the squeegee is put down, or
- the strip is cracked.



3.2 Adjustment items

3.2.1 Adjustment of the squeegee holder

- Use the nuts on the universal wheels to lift or lower the squeegee holder.



3.2.2 Adjustment of the squeegee holder

- Put down the squeegee holder to see whether the strip touches the ground.
- Push the machine gently to see whether the strip is slightly bent and leaves no gap between itself and the ground.
- If there is any gap between the strip and the ground or the strip is pressed too tight, use the universal wheels on the squeegee holder to adjust its position.



Chapter 4 Instructions on operating the machine

4.1 Walking of the machine

- Turn on the general switch.
- Turn the forward/backward button to the forward gear and step on the accelerating pedal, and then the machine will move forward.
- Turn the forward/backward button to the backward gear and step on the accelerating pedal, and then the machine will move backward.
- If you need to stop the machine, just release the accelerating pedal so that the electromagnetic brake will work automatically and the machine will be stopped.

Note: when the machine is moving backward or needs to be transported, make sure that the brush plate and the squeegee are lifted, or the brush plate will be worn and the squeegee will be deformed.

4.2 Scrubbing the floor

- Put down the brush plate and the squeegee.
- Turn on the general switch.
- Press the brush plate button and the suction motor button.
- Turn the forward/backward button to the front gear, hold the steering wheel, step on the accelerating pedal and drive the machine smoothly.



Note:

When the brush plate motor is turned on, do NOT leave the machine in the same place for a long time, because this would leave unnecessary marks on the ground.

4.3 Discharging sewage

- Before discharging the sewage tank, stop the machine and turn off the general switch.
- Put down the sewage discharging pipe, open the cap and discharge the sewage.
- Use clean water to wash the sewage tank.

4.4 Stopping the machine

- When the work is finished, turn off the brush plate button and lift the brush plate.
- Turn off the suction motor and lift the squeegee.
- Discharge the sewage tank.
- Move the machine to an appropriate storage place.
- Turn off the general switch and remove the key.

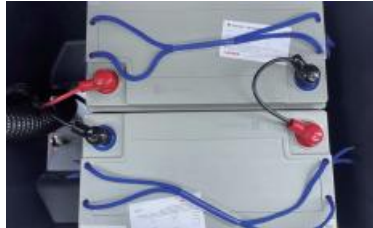
Note: if the machine is not about to be used for a long time, please fully charge the batteries, disconnect the battery cords to avoid power loss.



4.5 Charging the batteries

Note: the machine is powered by two 12 V maintenance-free lead-acid batteries and the total system voltage is 24 V.

- The total voltage of the batteries will gradually decrease during the work. When the last bar of the voltmeter is flashing, the machine is running out of power and charge the batteries immediately.
- When maintaining the batteries, please wear gloves to avoid contact with acid substances.
- Check whether the battery cords are worn and the connecting parts are loose, and replace them when necessary.
- Keep the batteries dry and clean and make sure that there are no dust on them, since it is extremely harmful to the batteries and may even cause them to burn in severe cases. Do NOT put any object (especially metallic object) on the batteries either.
- In order to extend the service life of the batteries, charge them immediately when the cleaning work is finished. Deep discharging is strictly forbidden for it will reduce their capacity and service life.
- The correct steps of charging the batteries: first install the batteries, then connect them to the mains.
- If the machine is not about to be used within a long period of time, please fully charge the batteries and disconnect the battery cords.



Chapter 5 Cleaning and maintenance of the machine

Regular maintenance can extend the service life of your machine.

5.1 Cleaning of the machine

- Check the wheels regularly and remove entanglements.
- Clean the sewage tank and the sewage discharging pipe with clean water regularly.
- Clean the filter of the water valve. If there are impurities in its transparent cover, unscrew the filter and wash the cover and the filter screen repeatedly.

Alert: do NOT wash the machine body with water directly, since it is NOT strictly water-proof and may be short-circuited or burnt in this case.



5.2 Maintenance of the machine

5.2.1 Replacement of the brush plate

- Park the machine on the flat ground and put down the brush plate.
- Rotate the plastic handle counterclockwise to remove the brush.
- Grab the bristles, lift the brush plate slightly and shake it from side to side, and then the brush plate will be removed.

- When installing the new brush plate, make sure that the flange plate is aligned with the holes on the brush plate, and rotate it in any direction to finish the installation.
- Installation of the needle plate: add a scouring pad on the bottom of the needle plate, and install it following the instructions above. You can purchase needle plates and scouring pads from the original manufacturer.
- The scouring pad must be soaked in water for 10-15 minutes before use, otherwise it will damage the ground.



5.2.2 Replacement of the strip of the squeegee

- Park the machine on the flat ground and make sure that it is powered-off.
- Use the squeegee lifting handle to put down the squeegee and screw the plastic handle counterclockwise to remove the squeegee holder.



- Unscrew the nuts of the squeegee holder and remove its bottom plate; remove the front and rear strips of the squeegee.
- Install the new strips.



Chapter 6 Storage and transportation of the machine

6.1 Storage of the machine

- If you do not need to use the machine for a long time, please remove and wash the squeegee and the brush plate, and store them in a dry clean place. We recommend that you store them in an airtight plastic container.
- Make sure that the water tanks are discharged and cleaned.
- Charge the battery before storing the machine. If you do not use the machine for a long time, charge the battery regularly (at least once a month) to make sure that it has enough power.

6.2 Transportation of the machine

- When lifting or lowering the machine, make sure that it is in a stable position to prevent it from tipping over or falling.
- When the machine leaves the factory, it is fixed on a wooden pallet and carried on a transport vehicle with appropriate equipment; upon arrival at the destination, the same equipment must be used for loading and unloading.
- When using a forklift to move the machine, it must be handled together with the packing; avoid the machine from tipping over or falling during the operation.

Chapter 7 Common problems and solutions

The batteries cannot be charged.	The charger fails.	Replace the charger.
	The charging port is oxidized.	
The suction motor does not work.	The fuse is blown.	Replace the fuse.
The brush plate motor does not work.	The fuse is blown.	Replace the fuse.
No water outlet is produced.	The clean water pipe is blocked.	Clean the water pipe.
	There are impurities in the filter cover.	Clean the filter cover.
	The electromagnetic valve fails.	Check the electromagnetic valve.
Loud noise is produced.	The squeegee is in the wrong position.	Adjust the height of the universal wheels of the squeegee.
	The suction motor is broken.	Replace the suction motor.
The brush plate	The brush plate drops often.	Improper operation.
	The brush plate buckle is worn.	Replace the buckle.
The water suction efficiency is low.	The floating ball cage is blocked.	Clean the floating ball cage.
	The suction pipe is blocked.	Clean the suction pipe.
	The sealing of the sewage tank is cracked.	Replace the sewage tank.
	The strip of the squeegee is cracked.	Replace the strip.

Chapter 8 After-sale services

8.1 General description

- Seven-day guaranteed return, fifteen-day guaranteed replacement, one-year warranty for the whole machine, 6-month warranty for damaged parts, and no warranty for consumables (calculated from the next day after receiving the machine).
- The delivery receipt and purchase invoice are certificates for warranty and must be kept properly.

8.2 Contents of warranty

Category	Contents	Warranty period
	The entire machine	1 year
Damaged parts	Fuses, universal wheels, electromagnetic valve, flange buckles, filter	6 months
Consumables	Brush plate, scouring pad, needle plate, sealing strip	No warranty

8.3 Cases not covered in the warranty

- The operator fails to perform maintenance according to the instruction manual, resulting in damage or failure.
- The surface and/or the structure of the machine are obviously damaged due to improper operation.
- Disassembly or modification not approved by the original manufacturer.
- Damage due to weather or force majeure.
- The warranty is expired or the machine has been used for more than 1,500 hours.

Technical parameters

Category	Parameter	Category	Parameter
Cleaning width	3.650 m ² /h	Driving motor	500 W
Brush plate width	21 inches	Clean water tank capacity	70 L
Squeegee width	1.000 mm	Sewage tank capacity	65 L
Cleaning width	530 mm	Battery capacity	24 V/100 Ah
Walking speed	6-8 km/h	Working time	3-4 h
Brush plate motor	550 W	Total weight	175 kg
Suction motor	500 W	Product size	1.300 * 1.000 * 1.100 mm

Warranty Card

用户名 User's name		联系电话 Tel	
通讯地址 Address		票据号 Bill No.	
购买时间 Date of purchase		机身编号 Serial number	
产品型号 Type of product		日期 Date	
更换配件： Accessories to be replaced:			
故障描述： Fault description:			